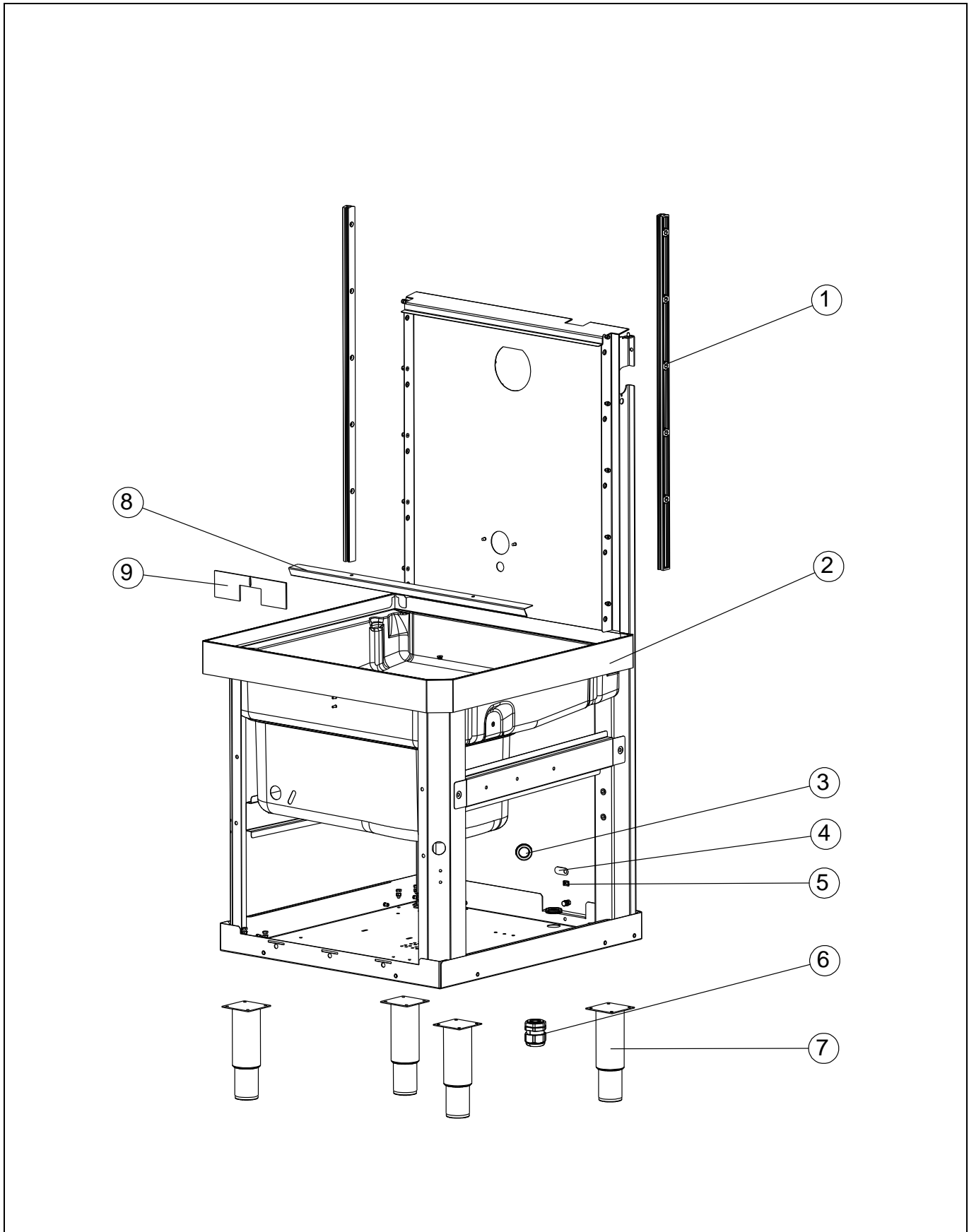


SPARE PARTS CATALOGUE
零件手册

HOOD TYPE DISHWASHER
揭盖式器皿清洗机

Code	Model	Ref	Page	Description	Note
520500	EHT80ROW	a		HOOD TYPE DISHWASHER,80R/H-ROW,45°	
520501	EHT80ROW6	b		HOOD TYPE DISHWASHER,80R/H-ROW 60HZ,45°	
520502	EHT80EROW	c		HOOD TYPE DISHWASHER,ESD,80R/H-ROW,45°	
520503	EHT80EROW6	d		HOOD TYPE DISHWASHER,ESD,80R/H-ROW 60HZ,45°	
520504	VHT65	e		HOOD TYPE DISHWASHER,65R/H,Veetsan,90°	
520505	NHT65	f		HOOD TYPE DISHWASHER,65R/H,To brand,90°	
520506	NHT656	g		HOOD TYPE DISHWASHER,65R/H,60Hz,To brand,90°	
520507	NHT65R	h		HOOD TYPE DISHWASHER,65R/H,Rinse Aid dispenser,To brand,90°	
520508	NHT65RD6	i		HOOD TYPE DISHWASHER,65R/H,Detergent & Rinse Aid dispenser,60Hz,To brand,90°	
520518	VHT65DD	j		HOOD TYPE DISHWASHER, Detergent & RINSE AID DISP.,65R/H	

Index	目录	Page
Tank Frame Assembly	水箱框架组件	2-3
Hood Assembly	上罩组件	4-5
Panel Assembly	面板组件	6-7
Wash & Rinse Assembly	主洗&喷淋组件	8-9
Tank & Boiler Accessories Group	水箱&加热包附件组	10-12
Electrical Element Assembly	电器元件组件	13-14
ESD Assembly	ESD 组件	15-16
Dispenser Assembly	分配器组件	17-18



Tank Frame Assembly

水箱框架组件

From Ser. Nr...
Up to Ser. Nr...

@
Page:2

Ed. 0.1 06.2021

Doc No: PM00826

HOOD TYPE DISHWASHER
揭盖式器皿清洗机

Pos.	Spare part Code	ANC	Description	Chinese Description	Ref./Notes	V	W & T	S
1	0L2798	547604701	PLASTIC HOOD GUIDE	上罩塑料导轨				
2		870100300	TANK 45° STD & FRAME ASSEMBLY	45° 水箱标准版°&框架组件	a,b			
2		870100400	TANK 45° ESD & FRAME ASSEMBLY	45° 水箱 ESD 版°&框架组件	c,d			
2		870100500	TANK 90° STD & FRAME ASSEMBLY	90° 水箱标准版°&框架组件	e,f,g,h,i,j			
2		870100600	TANK 45° ESD & FRAME ASSEMBLY	90° 水箱 ESD 版°&框架组件				
3		246580701	CABLE GUIDE RUBBER DG 21	电缆导轨橡胶 DG 21				
4	0C3524	598804701	EQUIPOTENTIAL TERMINAL PLATE	等电位端子板				
5	0VTDDB	206620200	U PLATE M6	U 型板 M6				
6	0VT147	LC00006	PLUG	固定头-软线固定头/50				
7	0L3203	855652300	FEET ASSEMBLY	支撑脚组件				
8		502101300	WATER SPLASH PROFILE	挡水板				
9	0VTDDL	543634R00	TANK FRAME GASKET	水箱框架垫圈				

Tank Frame Assembly
水箱框架组件

V = Vital spare part/核心备件

W&T = Wear and Tear/易损件

S = Suggested/建议更换备件

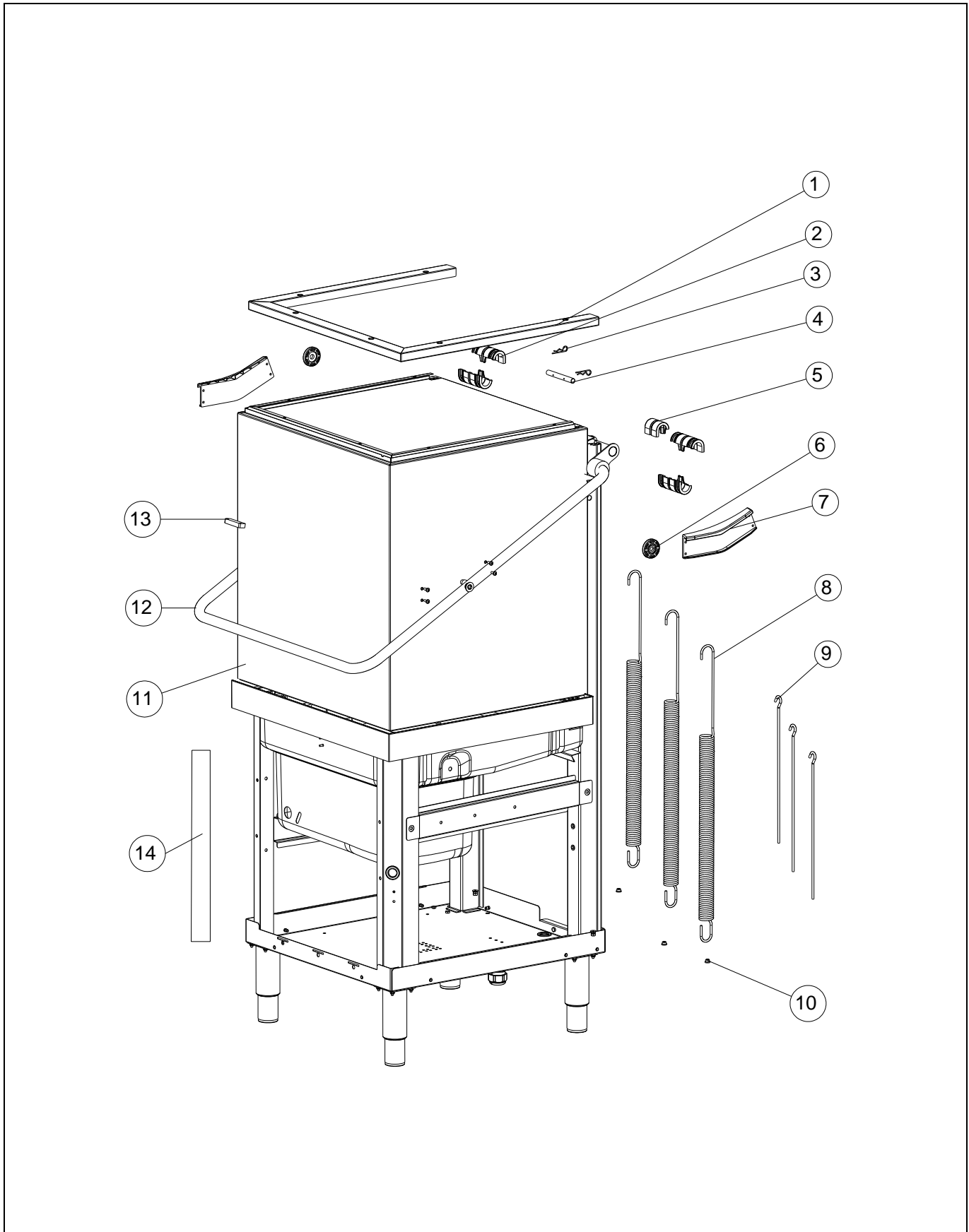
Bold=last change / 粗体=最后更改

From Ser. Nr...
Up to Ser. Nr...

Page:3

Ed. 0.1 06.2021

Doc No: PM00826



Hood Assembly

上罩组件

From Ser. Nr...
Up to Ser. Nr...

HOOD TYPE DISHWASHER
揭盖式器皿清洗机

Pos.	Spare part Code	ANC	Description	Chinese Description	Ref./Notes	V	W & T	S
1		502100K00	HOOD 90° COVER FRAME	90° 上罩盖框架	e,f,g,h,i,j			
1		502100F00	HOOD 45° COVER FRAME	45° 上罩盖框架	a,b,c,d			
2	0L2794	549646800	HOOD HANDLE BUSH	上罩手柄衬套				
3		CS00505	R PIN	R 型销				
4		5146A7200	PIN HOOD STOPPER	上罩限位销				
5	0L2793	549646B00	HOOS SPRING BUSH	上罩弹簧衬套				
6	049598	544627400	HOOD HANDLE WHEEL	上罩手柄滚轮				
7	049597	544627300	HOOD HANDLE GUIDE	上罩手柄导轨				
8	0L0057	514691901	HOOD SPRING	上罩弹簧				
9		5146A4W00	HOOD SPRING STRETCHER	上罩弹簧延伸器				
10		514690200	SPRING STRETCHER BUSH	弹簧延伸器衬套				
11		850100800	HOOD 90° ASSEMBLY	90° 上罩组件	e,f,g,h,i,j			
11		850100700	HOOD 45° ASSEMBLY	45° 上罩组件	a,b,c,d			
12		835621H02	HOOD HANDLE ASSEMBLY	上罩手柄组件				
13	049627	699603701	MAGNET STEM-M350FPGBOM00	磁铁 STEM-M350FPGBOM00				
14		548100200	MEMBRANE(VEETSAN)	贴膜 (威顺)	e,j			
14		548100300	MEMBRANE(TO BRAND)	贴膜 (通用)	f,g,h,i			
14		54864H000	MEMBRANE(ELECTROLUX PROFESSIONAL)	贴膜 (伊莱克斯)	a,b,c,d			

Hood Assembly
上罩组件

V = Vital spare part/核心备件

W&T = Wear and Tear/易损件

S = Suggested/建议更换备件

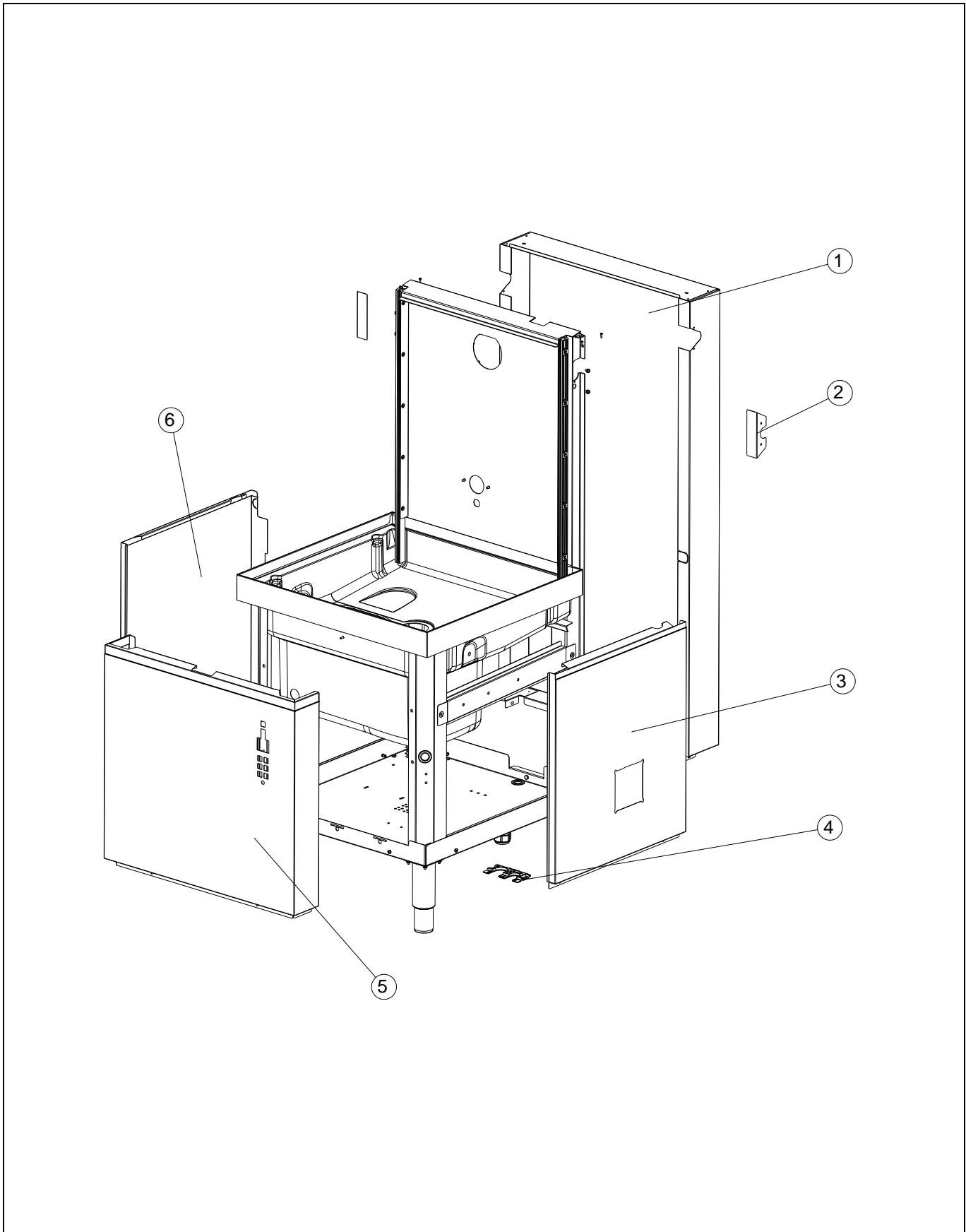
Bold=last change / 粗体=最后更改

From Ser. Nr...
Up to Ser. Nr...

Page:5

Ed. 0.1 06.2021

Doc No: PM00826



Panel Assembly
面板组件

From Ser. Nr...
Up to Ser. Nr...

@
Page:6

Ed. 0.1 06.2021

Doc No: PM00826

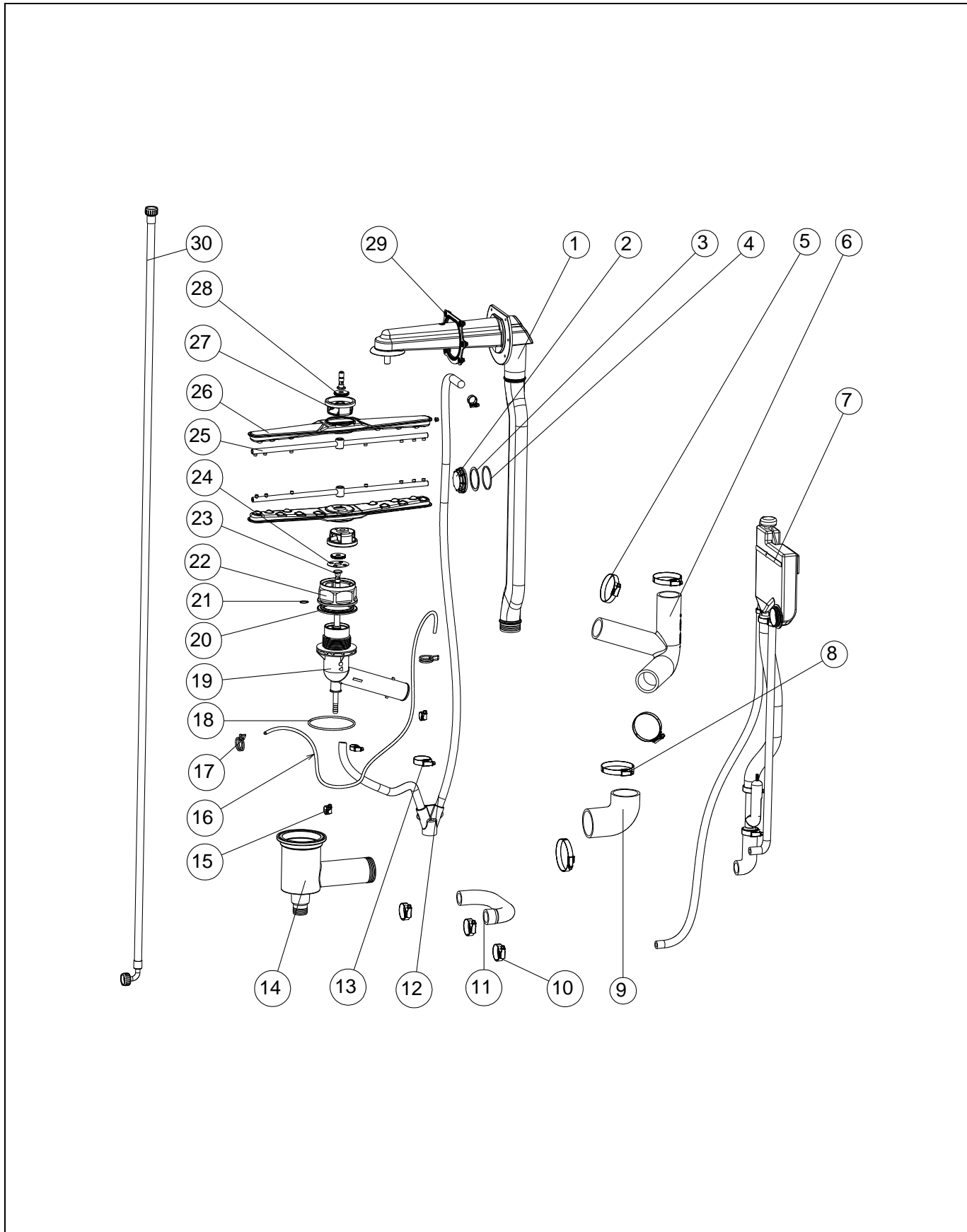
HOOD TYPE DISHWASHER
 揭盖式器皿清洗机

Pos.	Spare part Code	ANC	Description	Chinese Description	Ref./Notes	V	W & T	S
1	0VTC66	CMH365	BACK PANEL	后背板	c,d			
1		CMH368	ESD BACK PANEL	ESD 后背板	a,b,e,f,g,h,i,j			
2	0VTC43	502101A00	BACK PANEL SIDE COVER	背面板侧盖				
3	0VTC3Z	502101C00	RIGHT SIDE PANEL	右侧面板				
4	0L0112	543628700	HOSES PROTECTION	软管保护				
5		850100900	FRONT PANEL 90° ASSEMBLY	90° 前面板组件	e,f,g,h,i,j			
5		850100C00	FRONT PANEL 45° ASSEMBLY	45° 前面板组件	a,b,c,d			
6	0VTC3W	502101D00	LEFT SIDE PANEL	左面板				

Panel Assembly
 面板组件

V = Vital spare part/核心备件
W&T = Wear and Tear/易损件

S = Suggested/建议更换备件
Bold=last change / 粗体=最后更改



Wash & Rinse Assembly

主洗&喷淋组件

From Ser. Nr...
Up to Ser. Nr...

@
Page:8

Ed. 0.1 06.2021

Doc No: PM00826

HOOD TYPE DISHWASHER
揭盖式器皿清洗机

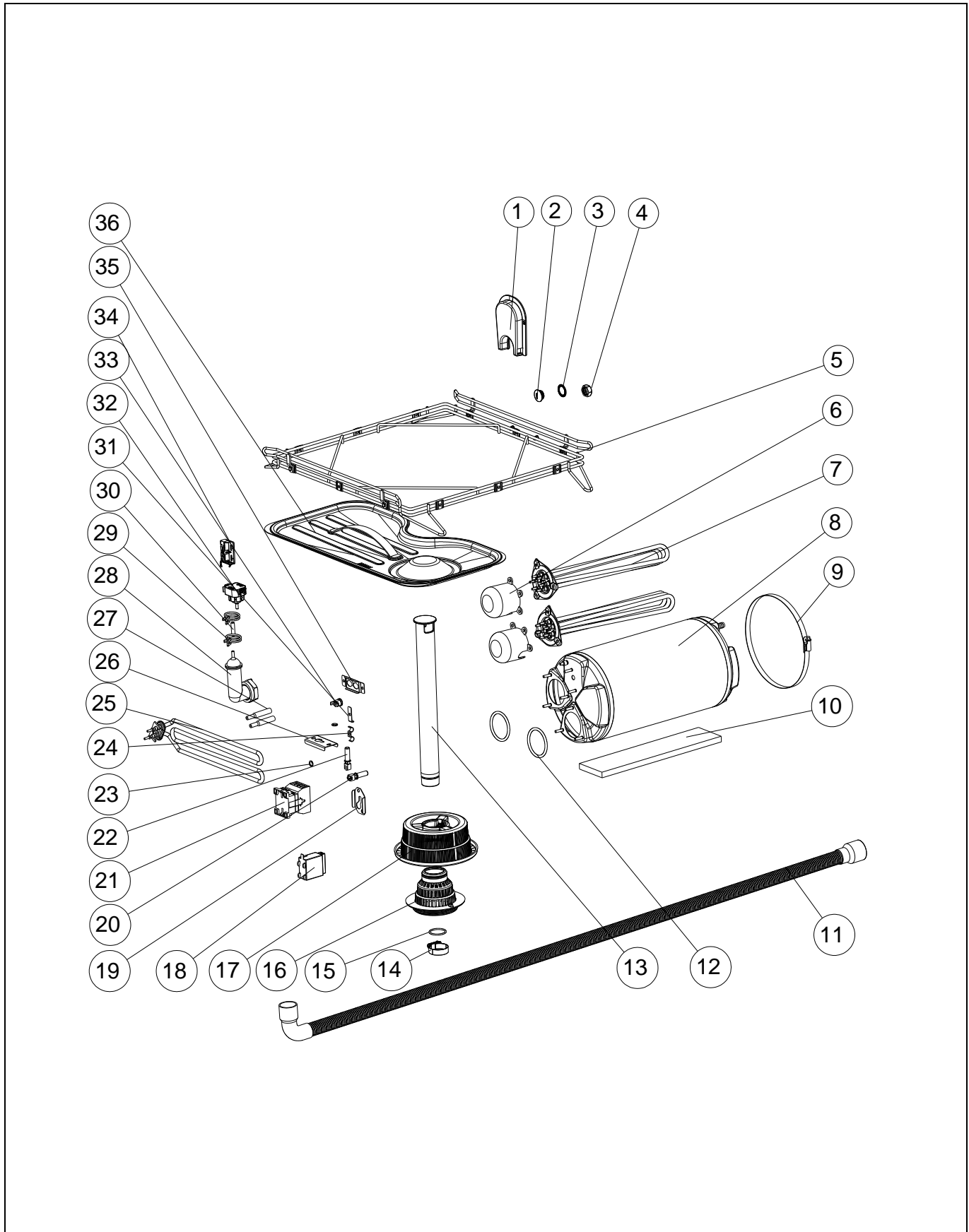
Pos.	Spare part Code	ANC	Description	Chinese Description	Ref./Notes	V	W & T	S
1	0L3407	855652K00	UPPER WASHING ARM SUPPORT ASSEMBLY	上清洗臂支撑组件				
2	049480	544626200	AIR TRAP RING NUT	空气疏水阀环型螺母				
3	049828	544631601	GASKET D.EXT 59.5-D.INT 50	硅胶垫 D.EXT 59.5-D.INT 50				
4	0VTDC7	543620900	O-RING 3212- 2,62X53,65	O 型圈 3212- 2,62X53,65				
5	0VTBBF	CS00440	CLAMP φ50-70	喉箍				
6	0L2825	544686L01	OUTLET WASH PUMP SLEEVE	出口洗涤泵套筒				
7	0TTMAK	805665303	AIRGAP ASSEMBLY	气隙组件				
8	0VTC47	CS00445	CLAMP φ60-80	喉箍				
9	0L2836	544686M00	WASH PUMP SUCTION HOSE	清洗泵软管				
10	0VTC46	CS00443	CLAMP φ25-40	喉箍				
11	0L2852	544686Z00	RINSE PUMP SUCTION HOSE	漂洗泵吸管				
12	0L4597	83065VS00	RINSE "Y" DISTRIBUTOR HOSE ASSEMBLY	漂洗"Y"型分配器软管组件				
13		CS00509	CLAMP φ25-40	喉箍				
14	0L2837	544686J01	SUCTION WASH PUMP COLLECTOR	吸水泵收集器				
15	0VTC5C	CS00441	CLAMP φ12-22	喉箍				
16	0L3415	544638800	EPDM HOSE D=4X7,4 L=2000MM	EPDM 软管 D = 4X7,4 L = 2000MM				
17		518613000	ELASTIC HOSE CLAMP 7,3-7,8MM	弹性喉箍 7,3-7,8MM				
18	0VTDC8	543627500	O-RING NBR 110X4 COD.ORM 1100-40	O 型圈 NBR 110X4 COD.ORM 1100-40				
19	048235	549615004	LOWER WASHING ARM SUPPORT	下清洗臂支撑				
20	048236	543620401	LOWER WASHING ARM SUPPORT GASKET	下清洗臂支撑垫				
21		219001711	SHAFT RING	轴用挡圈				
22	048237	549615101	LOWER WASHING ARM SUPPORT RING NUT	下清洗臂支撑环形螺母				
23	048290	514666502	RINSE ARM PIN	漂洗臂销				
24		502101M00	WASHING ARM FLOW REDUCER	清洗臂节流片				
25	0L2095	855651C00	RINSE ARM ASSEMBLY	漂洗臂组件				
26	0TTMAJ	850664H00	SLANTED WASHING ARM ASSEMBLY	斜清洗臂组件				
27	048401	549617903	WASHING ARM HUB	清洗臂中心				
28		CO01333	RINSE ARM LOCKING WASHER	漂洗臂锁紧垫圈				
29	0L2822	543634B01	UPPER WASHING ARM GASKET	上清洗臂垫				

Wash & Rinse Assembly
主洗&喷淋组件

V = Vital spare part/核心备件
W&T = Wear and Tear/易损件

S = Suggested/建议更换备件
Bold=last change / 粗体=最后更改

From Ser. Nr... Up to Ser. Nr...	Page:9	Ed. 0.1 06.2021	Doc No: PM00826
-------------------------------------	--------	-----------------	------------------------



Tank & Boiler Accesoiies Group

水箱&加热包附件组

From Ser. Nr...
Up to Ser. Nr...

@
Page:10

Ed. 0.1 06.2021

Doc No: PM00826

HOOD TYPE DISHWASHER
揭盖式器皿清洗机

Pos.	Spare part Code	ANC	Description	Chinese Description	Ref./Notes	V	W & T	S
1	0L3756	54468AH00	AIR GAP COVER	气隙盖				
2	0TTMB3	54468G700	PLUG	插头				
3	0L4469	543634300	GASKET AIR VENT CUP	呼吸阀垫片				
4	0L4467	544686Y00	AIR VENT CUP	呼吸阀罩				
5	0VTDBS	830657D02	BASKET GUIDE ASSEMBLY	篮筐导轨组件	Localization code			
6	0VT078	CP00018	CAP	罩壳 (护罩)				
7	0L2884	617634000	BOILER HEATING ELEMENT 4500W 230V	加热包加热管 4500W 230V				
8	0VTC5A	850100B00	BOILER ASSEMBLY	加热包组件				
9		CS00504	CLAMP φ200-220	喉箍				
10	0L1990	565615G00	EXPANDED POLYETHYLENE SPACER	发泡聚乙烯垫片				
11	0L4552	54468G100	DRAIN PIPE	排水管				
12	0VTDC9	543633Y00	O-RING 56.52X5.33 SILICON	O 型圈 56.52X5.33 硅				
13	0L2829	549646C01	OVER FLOW PIPE	溢流管	KIT-0L4544 (0L2829+0L2359)			
14	0VTC7G	CS00444	CLAMP φ32-50	喉箍				
15	0VTDDA	543634100	O-RING 3131 - 2,62 X 32,99 SILICON 70	O 型圈 3131-2,62 X 32,99 硅 胶 70				
16	0L3586	544687H01	LOWER PLASTIC TANK FILTER	塑料水箱过滤器				
17	0L2834	544686K01	PLASTIC PUMP SUCTION FILTER	塑料泵吸滤器				
18	048888	648611100	RELAY 0419 12 R 5 TYPE EAS\AS-230A-H	继电器 0419 12 R 5 EAS \ AS-230A-H				
19		502101600	TEMPERATURE PROBE SENSOR BRACKET	温度探头传感器支架				
20	0L2874	653600600	NTC TEMPERATURE PROBE SENSOR R 2,5	NTC 温度探头传感器 R 2,5				
21	006879	648807400	CONTACTOR K3-18ND10 220-240V 50HZ 240V 60HZ	接触器 K3-18ND10 220-240V 50HZ	b,d,g,i			
21	0L2057	648613000	CONTACTOR K3-18ND10 200 220-240V 60HZ	接触器 K3-18ND10 200 220-240V 60HZ	a,c,e,f,h,j			
22	0L2874	653600600	NTC TEMPERATURE PROBE SENSOR R 2,5	NTC 温度探头传感器 R 2,5				
23	0VTDBV	543633Z00	O-RING 2037 9,25 X 1,78 SILICON	O 型圈 2037 9,25 X 1,78 硅				
24		506675402	TANK HEATING ELEMENT BRACKET	水箱加热支架				
25	0L1974	617631702	TANK HEATING ELEMENT 3000W 230V	水箱加热管 3000W 230V				
26		502101400	TEMPERATURE PROBE SENSOR BRACKET	温度探头传感器支架				

Tank & Boiler Accessories Group
水箱&加热包附件组

V = Vital spare part/核心备件
W&T = Wear and Tear/易损件

S = Suggested/建议更换备件
Bold=last change / 粗体=最后更改

HOOD TYPE DISHWASHER
揭盖式器皿清洗机

Pos.	Spare part Code	ANC	Description	Chinese Description	Ref./Notes	V	W & T	S
27	091099	546R02600	HEATING ELEMENT RUBBER ELECTRIC PROTECTION	加热线电气保护橡胶件				
28	0L2846	855651G01	TANK AIR TRAP ASSEMBLY	水箱空气疏水阀组件				
29	0K9162	W00537200	EPDM HOSE D=4X7,4	EPDM 软管 D=4X7,4 (TYPE TT/80 T80) 877525102				
30		518613000	ELASTIC HOSE CLAMP 7,3-7,8MM	弹性喉箍 7,3-7,8MM				
31	0VTC5F	502101K00	TANK HEATING ELEMENT SPACER	水箱加热元件垫				
32	0L2845	673611M00	ANALOG SENSOR ELBI TYPE PS7640	模拟传感器 ELBI TYPE PS7640				
33	0L2895	646619601	SAFETY THERMOSTAT KLIXSON 105°C 3TE1NT08L_3612	超温保护器 KLIXSON 105°C 3TE1NT08L_3612				
34	0L2893	805665A00	STEM REED SENSOR R 2,5	干簧片传感器 R 2,5				
35		502101500	SAFETY THERMOSTAT BRACKET	超温保护支架				
36		830100100	FILTER	水箱过滤器(new)				

Tank & Boiler Accessories Group
水箱&加热包附件组

V = Vital spare part/核心备件
W&T = Wear and Tear/易损件

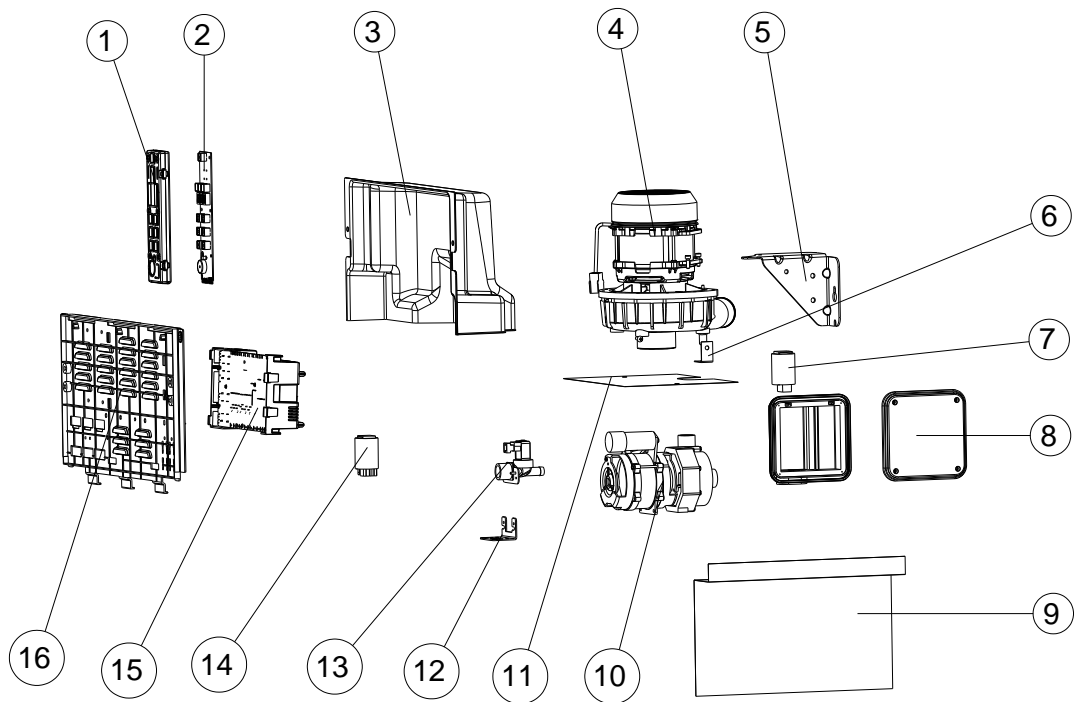
S = Suggested/建议更换备件
Bold=last change / 粗体=最后更改

From Ser. Nr...
 Up to Ser. Nr...

Page:12

Ed. 0.1 06.2021

Doc No: PM00826



Electrical Element Assembly
电器元件组件

From Ser. Nr...
 Up to Ser. Nr...

@
 Page:13

Ed. 0.1 06.2021

Doc No: PM00826

HOOD TYPE DISHWASHER
揭盖式器皿清洗机

Pos.	Spare part Code	ANC	Description	Chinese Description	Ref./Notes	V	W & T	S
1	0L2898	541617G01	USER INTERFACE COVER	用户界面盖				
2	0VTDDC	673612A02	USER INTERFACE	用户界面				
3	0L4598	549649A00	ELECTRICAL COMPONENTS COVER	电气元件盖				
4	0L2831	611636S00	WASH PUMP LGB ZF522VSX -90° 230V/1N/50HZ 0.8KW	清洗泵 LGB ZF522VSX -90°230V / 1N / 50HZ 0.8KW	b,d,g,i			
4	0L2832	611636T00	WASH PUMP LGB ZF522VSX -90° 230V/1N/60HZ 0.8KW	清洗泵	a,c,e,f,h,j			
5	0L3523	5046ABW00	WASH PUMP SUPPORT	洗涤泵支撑(进口)				
6		502101900	ELECTRIC FILTER SUPPORT	滤波器支撑				
7	049901	694605600	SINGLE PHASE R.F.I. FILTER	单相 R.F.I. 滤波器				
8	0L0111	639626100	TERMINAL LOCK BOX ASSEMBLY	接线盒组件				
9	0VTDDK	541618M00	TERMINAL LOCK BOX PVC PROTECTION	接线盒 PVC 保护				
10	0L1079	611631300	RINSE PUMP FIR 5213EB2451- 220/240V 50 HZ	漂洗泵 FIR 5213EB2451-220 / 240V 50 HZ	b,d,g,i			
10	0L2859	611636Q00	RINSE PUMP LGB TYPE CRC-L 230V/1N/60HZ	漂洗泵	a,c,e,f,h,j			
11	0VTDDH	569608L02	PVC SHEET PROTECTION	PVC 保护膜				
12	0VTC5B	502101B00	SOLENOID VALVE SUPPORT	电磁阀支撑				
13	0L3450	696618V00	SOLENOID VALVE ELBI TYPE 3.329.0378 A 5L/MIN 220/240V 50/60HZ	电磁阀 ELBI TYPE 3.329.0378 A 5L / MIN 220 / 240V 50 / 60HZ				
14	049303	694605400	TREE PHASE R.F.I. FILTER 411.13.5901D PROCOND	三相 R.F.I. 滤波器 411.13.5901D PROCOND				
15	0VTDDD	673612N01	ELECTRONIC MAIN BOARD ASSEMBLY WITHOUT HACCP RELE' HIGH TEMP	电脑主板组件	a,b,e,f,g,h,l,j			
15		673612L02	ELECTRONIC MAIN BOARD ASSEMBLY	电脑主板组件	c,d			
16	0L3596	549647W00	MAIN BOARD SUPPORT	主板支撑				

Electrical Element Assembly
电器元件组件

V = Vital spare part/核心备件
W&T = Wear and Tear/易损件

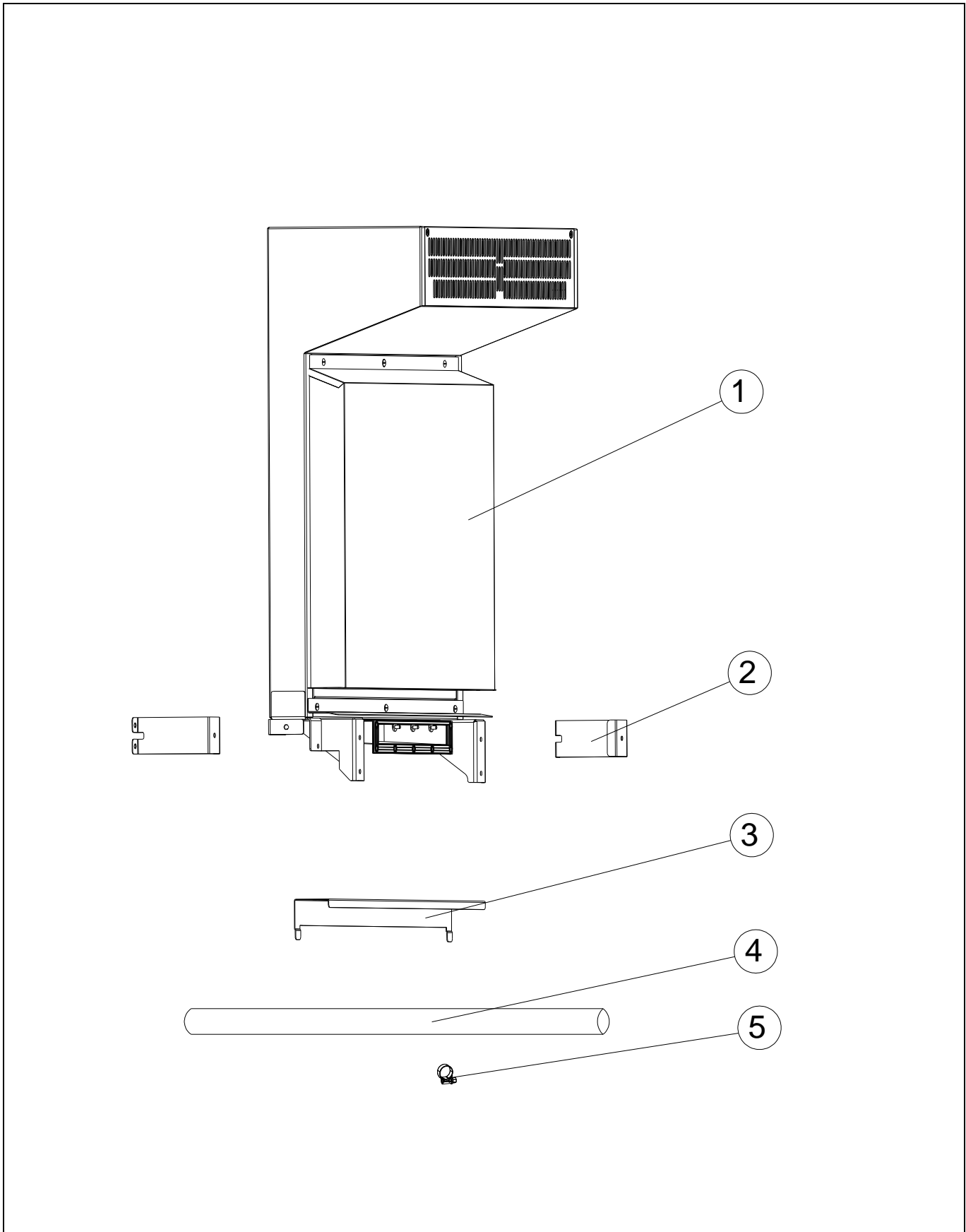
S = Suggested/建议更换备件
Bold=last change / 粗体=最后更改

From Ser. Nr...
Up to Ser. Nr...

Page:14

Ed. 0.1 06.2021

Doc No: PM00826



ESD Assembly
ESD 组件

From Ser. Nr...
Up to Ser. Nr...

@
Page:15

Ed. 0.1 06.2021

Doc No: PM00826

HOOD TYPE DISHWASHER
揭盖式器皿清洗机

Pos.	Spare part Code	ANC	Description	Chinese Description	Ref./Notes	V	W & T	S
1		83065GK00	ESD ASSEMBLY	ESD 组件				
2		502101J00	ESD BACK PANEL SUPPORT	ESD 背板支撑				
3		502101H00	ESD BACK PANEL COVER	ESD 背板盖板				
4		XMH04	RUBBER PIPE	橡胶管				
5	0VTC5C	CS00441	CLAMP ϕ 12-22	喉箍				

ESD Assembly
ESD 组件

V = Vital spare part/核心备件
W&T = Wear and Tear/易损件

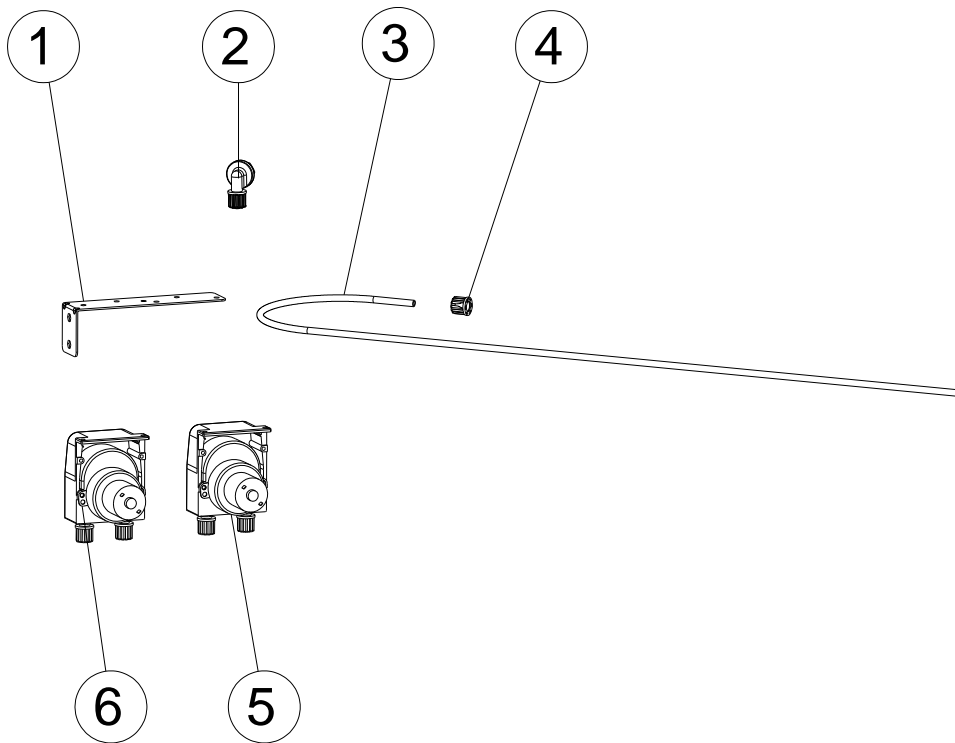
S = Suggested/建议更换备件
Bold=last change / 粗体=最后更改

From Ser. Nr...
Up to Ser. Nr...

Page:16

Ed. 0.1 06.2021

Doc No: PM00826



Dispenser Assembly
分配器组件

From Ser. Nr...
Up to Ser. Nr...

@
Page:17

Ed. 0.1 06.2021

Doc No: PM00826

HOOD TYPE DISHWASHER
揭盖式器皿清洗机

Pos.	Spare part Code	ANC	Description	Chinese Description	Ref./Notes	V	W & T	S
1		5056A2X00	DOSING PUMPS SUPPORT	分配器支撑	h,i,j			
2	049801	514690300	DETERGENT INJECTOR AISI 304	喷射器	i,j			
3	0L1163	544685200	RINSE-AID GREY TUBE 4.3X6	催干剂管	a,b,c,d,e,f,g			
4	0L2071	5146A2N00	RING NUT RINSE-AID TUBE	催干剂管环形螺母	a,b,c,d,e,f,g,h,i,j			
5	0S2285	686601Q00	RINSE AID DOSING PUMP (SEKO CODE NPG030HA2006)	催干剂分配器泵	h,i,j			
6	0S1986	686601N00	DETERGENT DOSING PUMP (SEKO CODE NPG0003A1008)	洗涤剂分配器泵	i,j			

Dispenser Assembly
分配器组件

V = Vital spare part/核心备件
W&T = Wear and Tear/易损件

S = Suggested/建议更换备件
Bold=last change / 粗体=最后更改



Electrolux Professional
Electrolux (Shanghai) Professional Appliance Co., Ltd.
2688, West Huancheng Road,
Fengxian District, Shanghai, China
<https://professional.electrolux.com>